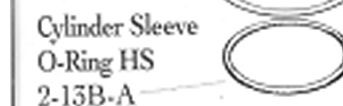
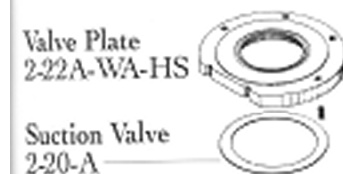
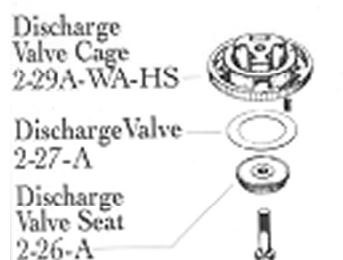


MYCOM® A/J/WA Compressors



MYCOM INDEX NO.	DESCRIPTION	PART NO.
-----------------	-------------	----------

Cylinder Sleeve

2-13	Cylinder Sleeve Gasket	2-13-A
2-13B	O-Ring Hi-Stage(Compound)	2-13B-A
2-14	Retaining Ring	2-14-A
2-14A	Cylinder Sleeve Assy, Left	2-14A-AL
2-14A	Cylinder Sleeve Assy, Right	2-14A-AR
2-15	Cam Ring, Left	2-15-AL
2-15	Cam Ring, Right	2-15-AR
2-16	Cylinder Sleeve, Bare	2-16-A
2-17B	Lift Pin	2-17B-A
2-18	Lift Spring	2-18-A
2-19	Split Pin	2-19-A

Suction Valve Assemblies

2-20	Suction Valve	2-20-A
2-21	Spring Set, Type 2	2-21-A
2-21	Spring Set, Type 4	2-21-WA
2-21B	Spring, Type 2	2-21B-A
2-22	Valve Plate, NH ³ , A	2-22A-A-HLS
2-22	Valve Plate, NH ³ , WA	2-22A-WA-HS
2-22	Valve Plate, Freon, A	2-22B-A-HLS
2-22	Valve Plate, Freon, WA	2-22B-WA-HS

Connecting Rods

2-1A	Con Rod Assy (Bushing)	2-1A-A
2-1B	Con Rod Assy (Needle)	2-1B-A
2-2	Bearing Halves (set)	2-2-A
2-3A	Piston Pin Bushing	2-3A-A
2-3B	Needle Bearing	2-3B-A
2-4	Connecting Rod Bolt	2-4-A
2-5	Connecting Rod Washer	2-5-A
2-6	Con Rod Nut #1	2-6-A
2-7	Con Rod Nut #2	2-7-A

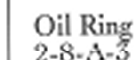
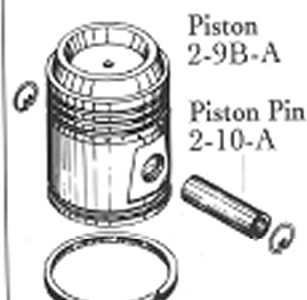
Piston

2-8	Oil Ring, FCPC-BC3P	2-8-A-3P
2-8	Oil Ring, FCPC-BC3	2-8-A-3
2-9B	Piston, Aluminum	2-9B-A
2-10	Piston Pin	2-10-A
2-11B	Piston Pin Snap Ring	2-11B-A
2-12	Compression Ring, FC-P	2-12-A-P
2-12	Compression Ring, FCPC-BF	2-12-A-BF
2-12	Compression Ring, FC-UC	2-12-A-UC
2-12B	Piston Ring Set	2-12B-A

Discharge Valve Assemblies

2-25	Discharge Valve Seat Bolt	2-25-A
2-26	Discharge Valve Seat	2-26-A
2-27	Discharge Valve	2-27-A
2-28	Spring Set, Type 3	2-28-A
2-28	Spring Set, Type 4	2-28-WA
2-29	NH ³ , WA Single & Hi-Stage	2-29A-WA-HS
2-29	Freon, WA Single & Hi-Stage	2-29B-WA-HS
2-30	Seat Nut #1	2-30-A
2-31	Seat Groove Nut #2	2-31-A

Compression Rings



Connecting Rod Assy

